

940 ES Gas Tankless Water Heater

Engineering Submittal Sheet

940 ES Performance Data

Maximum Gas Input (BTU)	199,000
Minimum Input (BTU)	19,900
Maximum Output (BTU)	160,500
Minimum Output (BTU)	18,300
Thermal Efficiency	83%

940 ES Operational Data

Weight (lbs.)	67
Min. Inlet Gas Pressure NG("WC) / LP("WC)	3.5 / 8
Max. Inlet Gas Pressure NG("WC) / LP("WC)	10.5 / 13
940 ES Maximum Output Temperature (°F)	140°F
Flow Rate at 35°F ΔT (GPM)	9.4
Flow Rate at 45°F ΔT (GPM)	7.2
Flow Rate at 50°F ΔT (GPM)	6.6
Flow Rate at 60°F ΔT (GPM)	5.5
Max. Working Pressure (psi)	150
Min. Working Pressure (psi)	30
Min. Activation Flow (GPM)	0.5
Relief Valve Pressure Rating (psi)	150
Venting Category	III

940 ES Approved Venting Material

Item	Diameter	Material
Exhaust Vent	3 or 4 inches	Sealed single wall stainless steel (AL29-4C)
Intake Vent	3 or 4 inches	Sealed PVC or any other rigid pipe

940 ES Clearances

	Minimum Clearance to Combustibles (Inch)
Front	1
Rear	0
Side	1
Floor	12

Additional Information

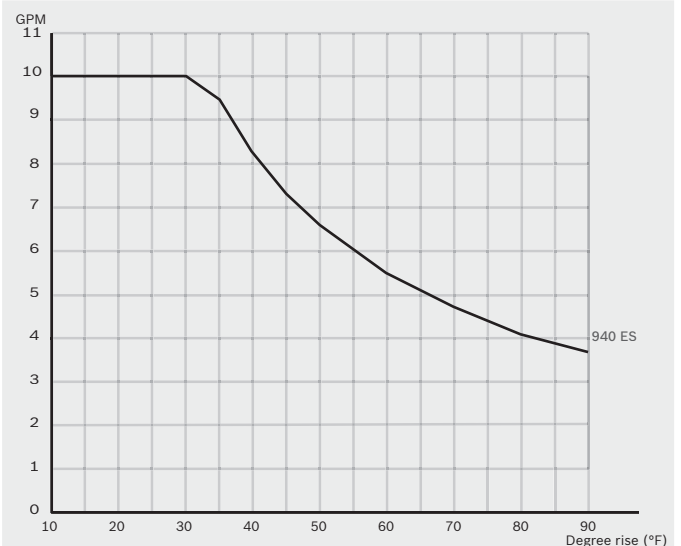
- Low NOx emissions
- Modulating water valve to improve temperature stability
- Modulating premix burner with constant gas/air ratio
- Direct-vent sealed combustion
- Direct spark ignition
- 150 psi relief valve included
- Concentric termination available
- LCD display with backlight / control buttons
- 100% copper heat exchanger

Options

- Wireless remote control (TSTAT2)
- Cascading kit (77090003962)
- Outdoor kit (BTOK)
- External water filter (8703305356)
- Concentric termination kit (ESHCK)
- Exhaust/Intake bird screen (L2594)
- Gas conversion kit (8 719002176)
- Pipe Cover (PTPCES)
- High temperature kit (7736500074)
- Recess box kit (7736500043)
- Pressure relief valve (FWL-2).

Note: Refer to installation and applications manual for specific information on venting, piping, electrical connections, and pump sizing.

940 ES Degree rise versus flow rate



BOSCH

940 ES Electrical Specifications

Electrical Voltage Mains	120V/60Hz
Power Consumption Max Load (A)	≤ 2.5
Idle (mA)	40

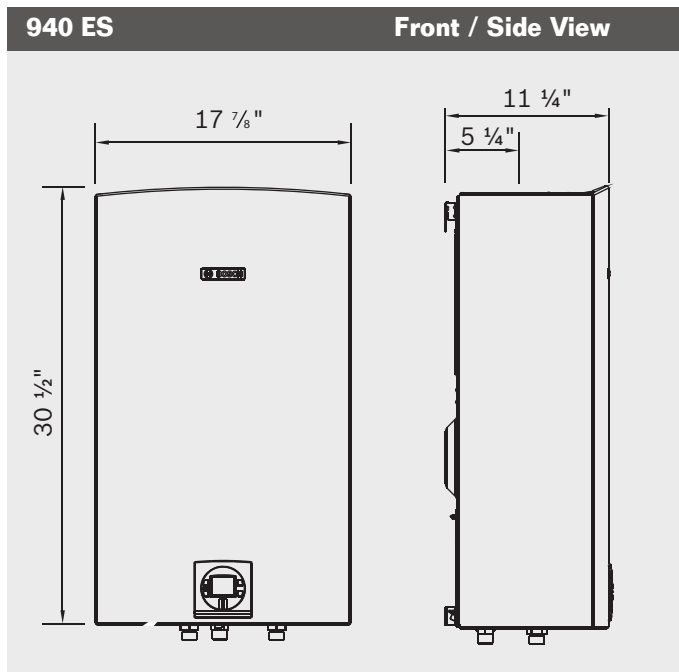
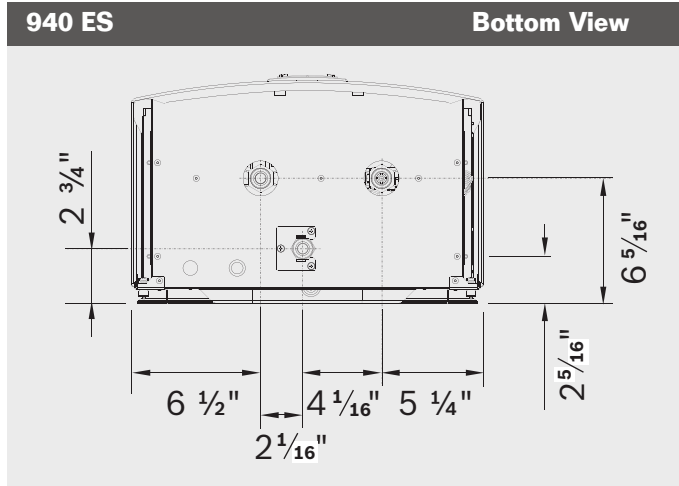
940 ES Piping Specifications

Exhaust Pipe Diameter	3" or 4"
Combustion Air Pipe Diameter	3" or 4"
Gas Connection Size	¾" NPT
Water Connections	¾" NPT

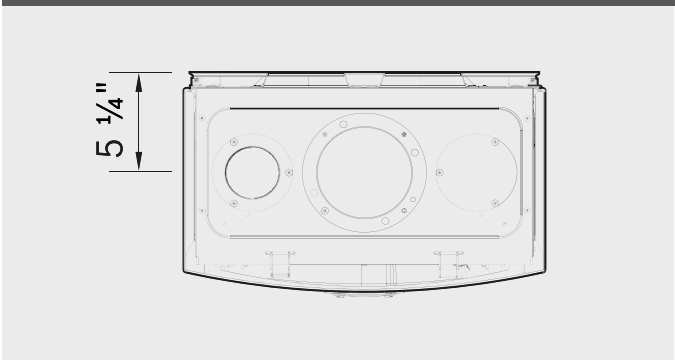
Note: Exhaust and combustion air connection adaptors are 3" diameter.

940 ES Venting Specifications

	Diameter	Approved Terminals
EXHAUST	3" or 4"	"T" terminal
		90° elbow
		3" horizontal terminal
		3" vertical raincap
		Concentric Vent/Air intake with termination tee
INTAKE	3" or 4"	"T" terminal
		90° elbow
		3" horizontal terminal
		3" vertical raincap
		Concentric Vent/Air intake with termination tee



940 ES Top View



Note: Intake can be installed on the left or right side of the exhaust.



BOSCH

Bosch Thermotechnology Corp.
50 Wentworth Avenue
Londonderry, NH 03053

Tel: 1-866-330-2730
Fax: 1-603-584-1687
www.boschpro.com