

660 EF Gas Tankless Water Heater

Engineering Submittal Sheet

660 EF Performance Data

Maximum Gas Input (BTU)	140,000
Minimum Input (BTU)	20,000
Maximum Output (BTU)	114,800
Minimum Output (BTU)	16,400
Thermal Efficiency	82%

660 EF Operational Data

Weight (lbs.)	36
Min. Inlet Gas Pressure NG("WC) / LP("WC)	4 / 8
Max. Inlet Gas Pressure NG("WC) / LP("WC)	10.5 / 14
Maximum Output Temperature (°F)	160°F
Flow Rate at 35°F ΔT (GPM)	6.6
Flow Rate at 45°F ΔT (GPM)	5.3
Max. Working Pressure (psi)	150
Min. Working Pressure (psi)	29
Min. Activation Flow (GPM)	0.5
Relief Valve Pressure Rating (psi)	150
Venting Category	III

660 EF Approved Venting Material

Item	Diameter	Material
Exhaust Vent	3 inches	Sealed single wall stainless steel (AL29-4C)

660 EF Electrical Specifications

Electrical Voltage Mains	120V/60Hz
Power Consumption Max Load (W)	141

660 EF Clearances

	Minimum Clearance to Combustibles (Inch)
Front	4
Rear	0
Side	2
Top	12

Additional Information

- Direct spark ignition
- Freeze prevention device
- Lightning protection
- 100% copper heat exchanger

Options

- Remote control (BRC01US for USA) (BRC01CA for Canada)
- Isolation valves - includes pressure relief valve (9260LA)
- Remote control outdoor junction box (BOJB)
- Remote control cord 10ft (3m) (BRC10CORD)
- Remote control cord 26ft (8m) (BRC26CORD)
- Pipe Cover (BCPKIT)

Note: Refer to installation and applications manual for specific information on venting, piping, electrical connections, and pump sizing.

660 EF Piping Specifications

Exhaust Pipe Diameter	3"
Gas Connection Size	¾" NPT
Water Connections	¾" NPT

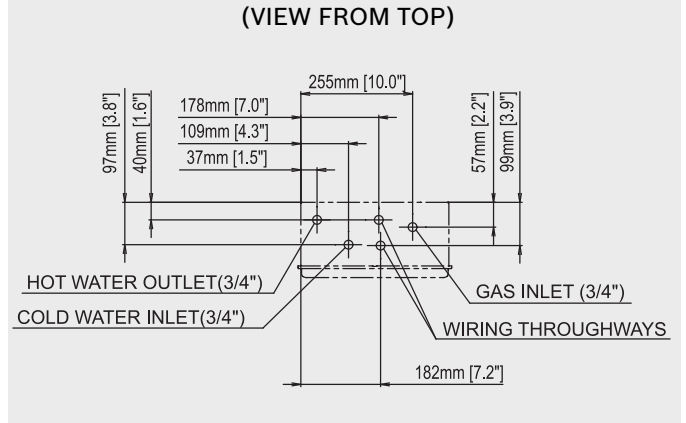
Note: Exhaust connection adaptors are 3" diameter.

660 EF Venting Specifications

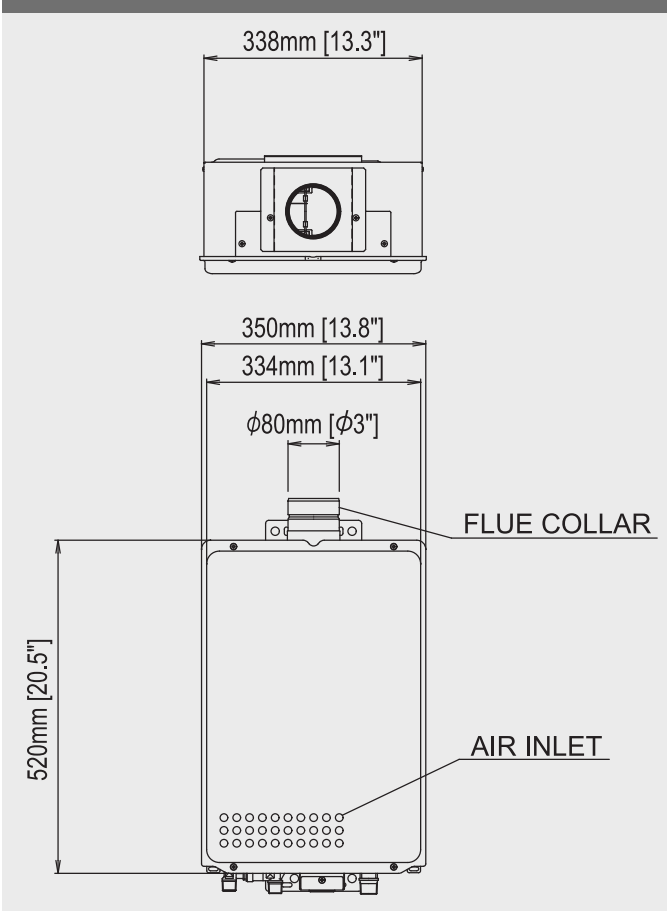
No. of elbows	Max. Straight Vent Length ¹
3	15' (4.5m)
2	25' (7.5m)
1	35' (10.6m)

¹ Not including the termination.

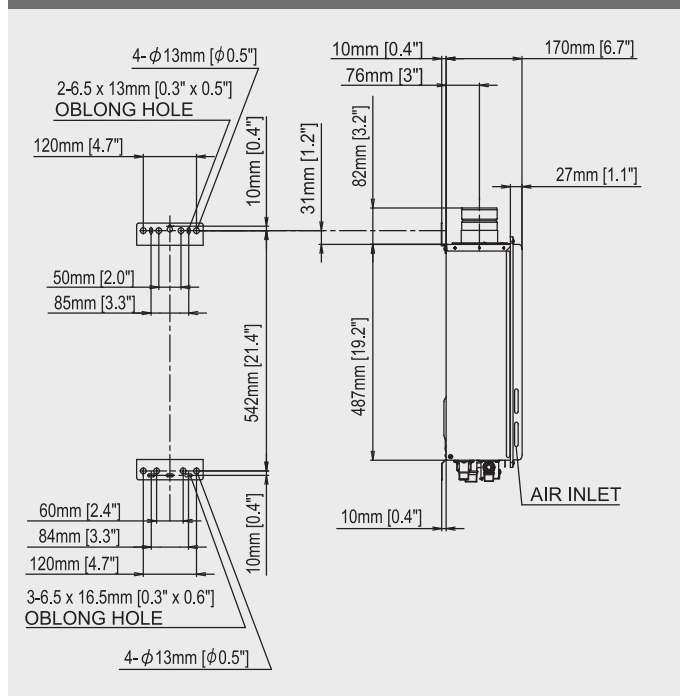
660 EF Bottom Dimensions



660 EF Front Dimensions



660 EF Side Dimensions



BOSCH

Bosch Thermotechnology Corp.
50 Wentworth Avenue
Londonderry, NH 03053

Tel: 1-866-330-2730
Fax: 1-603-584-1687
www.boschpro.com